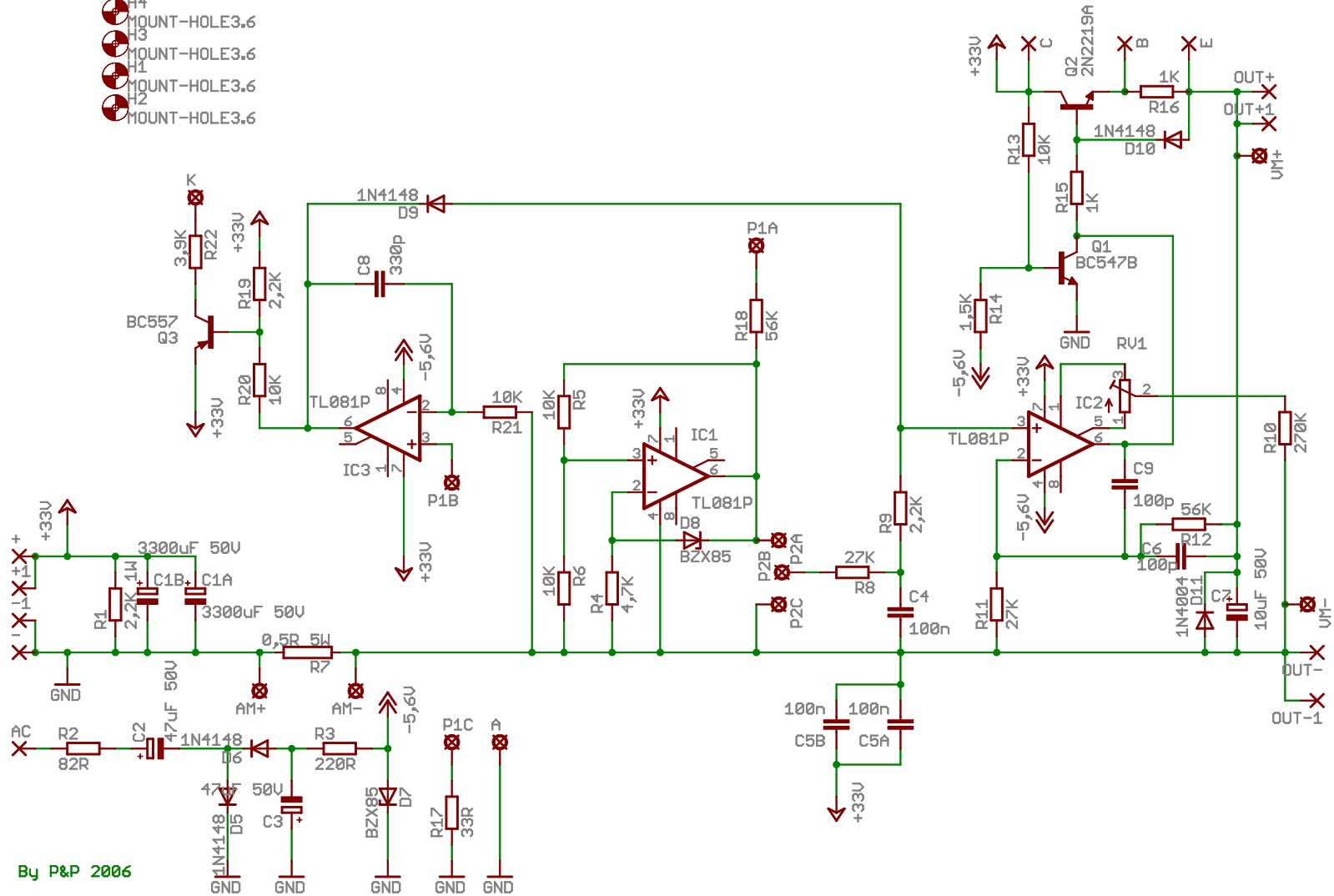


- H4 MOUNT-HOLE3.6
- H3 MOUNT-HOLE3.6
- H1 MOUNT-HOLE3.6
- H2 MOUNT-HOLE3.6



By P&P 2006